



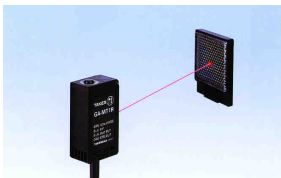
**UM2 series**  
**Miniature type**  
**Model: UM2-T50DS1**  
**Model: UM2-T50DS1V**  
**(With sensitivity adjustment)**



**GN Series**  
**General purpose type**

Infrared LED	660nm
Case protection	IP67
Detection	Through-beam type
Range	500nm
Object Resolution	φ 3mm Opaque object
Response time	Below 0.5ms
Power	12~24V DC

Model	GN-T10RS	GN-M2RS	GN-R40RS
Detection	Through-beam type	Polarization reflector type	Diffuse reflective type
Range	10m	0.03~1.3m	400mm
Object Resolution	φ 6mm Opaque object	Reflector area	20cm
Power	12~24V DC		

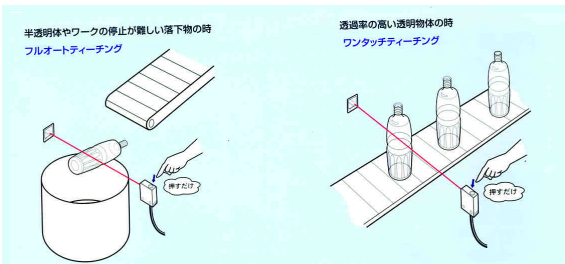


**GA series**  
**For detection transparent object**

Model	GA-MT1R
Range	0.1~1m
Power	12~24V DC
Response time	Below 1ms



**NE series**  
**Smallest photo sensors of all AC/DC power supply models**



Model	NE-T10RD	NE-M5RD	NE-R10
Detection	Through-beam type	Polarization reflector type	Diffuse reflective type
Range	Below 10m	0.03~5m	Below 1m
Object Resolution	φ 20mm Opaque object	Mirror-like objects, opaque objects	Opaque objects, translucent objects
Power	AC/DC 24~240V 50/60Hz		



**MS-S30W**



**MARK SENSOR**



**MARK SENSOR**  
**Red / Green / Blue 3-color teaching Single-color identification**

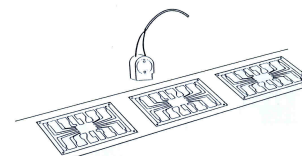
Model	CS-D3 amplifier
Discrimination	COL (Color element) / C + Y (Color element + Brightness)
Power	12-24V DC



標準検出距離  
 ・形式: CS-DF10 13mm  
 ・形式: CS-DF30 33mm

Model	CS-DF10	CD-DF30
Range	13mm (10~16mm)	33mm (28~38mm)

Model	MS-S30W (visible white light)	GR12R (visible red light)
Detection	Limited reflection type	Limited reflection type
Range	30mm	12mm
Object Resolution	0.5mm	φ 1mm
Power	12~24V DC	
Output mode	NPN / PNP	NPN
Sensitivity adjustment	VR adjustment (8-turn)	---



**香港科學儀器社有限公司**  
**Che Scientific Co. (Hong Kong) Ltd.**

**Hong Kong Head office:**

Unit D, 18/F, Roxy Industrial Centre, 58-66 Tai Lin Pai Road, Kwai Chung, Hong Kong

TEL: (852) 2481 1323 FAX: (852) 2418 1302

E-mail: [sales@chescientific.com](mailto:sales@chescientific.com) Website: [www.chescientific.com](http://www.chescientific.com)



**浙江科通儀器有限公司**  
**Zhejiang Fortune Scientific Co. Ltd.**

TEL: (86 571) 8729 7500 FAX: (86 571) 8729 7511

E-mail: [sales@fortunescientific.com.cn](mailto:sales@fortunescientific.com.cn)

Website: [www.fortunescientific.com.cn](http://www.fortunescientific.com.cn)

**Guangzhou Branch:**

TEL: (86 20) 8130 7388 FAX: (86 20) 8108 4925

E-mail: [guangzhou@fortunescientific.com.cn](mailto:guangzhou@fortunescientific.com.cn)

# TAKEX "TAKEX" Photo sensor, Ultrasonic sensor and Light Curtain Sensors Made In Japan

## ASG Series Embedded Amplifier Photo Sensors

- Reliably detects inclined transparent glass
- Thin (4mm) embedded amplifier photo sensor



Model	ASG-S20R	ASG-Z15R
Detection method	Diffuse-reflective sensor	Limited reflective sensor
Detecting distance	20mm	3 - 15 mm
Response time	Below 0.5 ms	
Light source	2 red LEDs	
Power	12~24V DC	

## US-S25AN Series Ultrasonic Sensors

- Handy M18 cylinder
- Integrated amplifier for easy adjustment



Model	US-S25AN
Detection method	Ultrasonic reflective
Detecting distance	60~250mm ±10mm
Detection object	30 x 30mm (sample object: 1-mm thick aluminum plate)
Response time	10~2 V: 30 ms max. 2~10 V: 300 ms max.
Power	24V DC

## SS20 series Light Curtain Sensors



Model	SS20 Series
Detecting distance	7m
Detecting width	140mm, 220mm, 300mm, 380mm, 460mm, 620mm, 780mm, 940mm (depends on model)
Detection object	Opaque object of $\phi$ 32mm
No. of light axes	8, 12, 16, 20, 24, 32, 40, 48 (depends on model)
Response time	Below 15ms
Power	12-24V DC

## ES series Economy Type Light Curtain Sensors



Model	ESN-T12	ESN-T16	ESN-T20
Detecting distance	Below 5m	Below 5m	Below 5m
Detecting width	220mm	300mm	380mm
Detection object	$\phi$ 30mm	$\phi$ 30mm	$\phi$ 30mm
No. of light axes	12	16	20
Response time	Below 7ms	Below 7ms	Below 7ms
Power	12~24V		

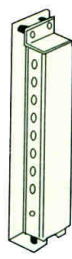
## SSR series Light Curtain Sensors Set

Model	SSR-304	SSR-306	SSR-308	SSR-310	SSR-312
No. of light axes	4	6	8	10	12
Light axis interval	40mm	40mm	40mm	40mm	40mm
Detecting width	140mm	220mm	300mm	380mm	460mm
Detecting distance	1~3m				
Response time	25ms				
	232mm	312mm	392mm	472mm	552mm
Detection object	$\phi$ 60mm Opaque object				
Power	AC220V 50Hz				

(SSR series standard accessory)

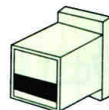


Mirror

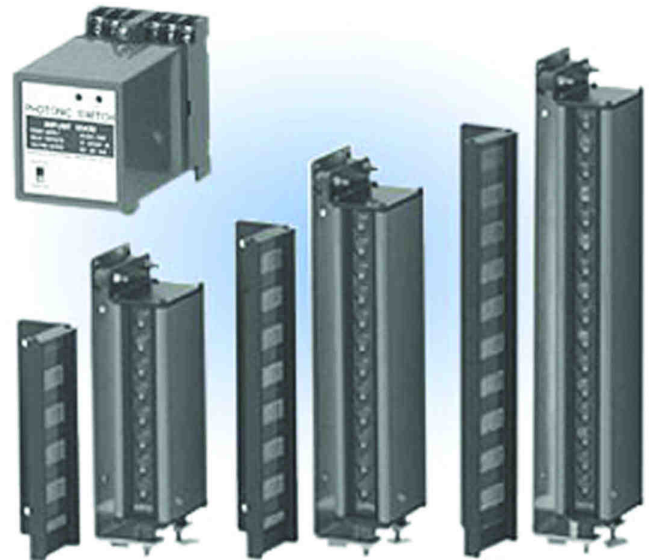


Beam Switch

(接続ケーブル付)



Amplifier



SSR-304

SSR-306

SSR308



**香港科學儀器社有限公司**  
Che Scientific Co. (Hong Kong) Ltd.

**Hong Kong Head office:**

Unit D, 18/F, Roxy Industrial Centre, 58-66 Tai Lin Pai Road, Kwai Chung, Hong Kong

TEL: (852) 2481 1323 FAX: (852) 2418 1302

E-mail: [sales@chescientific.com](mailto:sales@chescientific.com) Website: [www.chescientific.com](http://www.chescientific.com)



**浙江科通儀器有限公司**  
Zhejiang Fortune Scientific Co. Ltd.

TEL: (86 571) 8729 7500 FAX: (86 571) 8729 7511

E-mail: [sales@fortunescientific.com.cn](mailto:sales@fortunescientific.com.cn)

Website: [www.fortunescientific.com.cn](http://www.fortunescientific.com.cn)

**Guangzhou Branch:**

TEL: (86 20) 8130 7388 FAX: (86 20) 8108 4925

E-mail: [guangzhou@fortunescientific.com.cn](mailto:guangzhou@fortunescientific.com.cn)

## F80R series Digital display Fiber optic sensors



- Simple operation and low cost design
- “Long-distance” mode for dramatically increased detecting distance
- “Received light” indication enlarged by about 8 times (compared with conventional Takex product)
- Larger digital display allows for simple adjustment
- Low power consumption achieved

Model	F80R
Output mode	NPN open collector
Light source	Red LED (680 nm)
Response time	High-speed mode: 190 $\mu$ s. Long-distance mode: 1.8 ms
Power	12-24V DC

## F70A series Digital display Fiber optic sensors



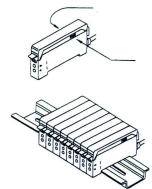
- Digital indication of sensing information
- Simple operation for setting functions
- Direct reading of stability level is available along with received light level and displacement indications
- LCD with backlight for ease of reading
- Various convenient functions provided
- Full auto/auto teaching
- Anti Mutual Interference
- Manual sensitivity setting
- Off-delay timer

Model	Light
F70AR	Red LED
F70AG	Green LED
F70AB	Blue LED
F70AW	White LED

## F70 series Fiber Sensors, 12-24V DC

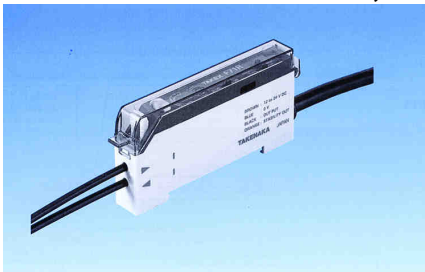


- Digital indication of sensing information
- Various advanced functions provide for optimum use of the sensor
- Unparalleled “high resolution” allows highly accurate detection
- LCD with backlight for ease of reading
- Longer detecting distance (about 2-X that of a conventional Takex model)



Model	Light
F70R	Red light
F70G	Green light
F70B	Blue light

## F71R series Fiber Sensors, 12~24V DC



- Adjacent installation of up to 8 units
  - Proprietary Anti Interference feature is used -
- High-accuracy-8-turn sensitivity adjustment
  - Position indicator is provided -
- High-speed response of 30  $\mu$ s
  - H type sensor -

Model	F71R	F71RH
Response time	25 ms	30ms
Sensitivity adjustment	VR 8-turn	
Size	9 x 60 x 30mm	



**香港科學儀器社有限公司**  
 Che Scientific Co. (Hong Kong) Ltd.

### Hong Kong Head office:

Unit D, 18/F, Roxy Industrial Centre, 58-66 Tai Lin Pai Road, Kwai Chung, Hong Kong

TEL: (852) 2481 1323 FAX: (852) 2418 1302

E-mail: [sales@chescientific.com](mailto:sales@chescientific.com) Website: [www.chescientific.com](http://www.chescientific.com)



**浙江科通儀器有限公司**  
 Zhejiang Fortune Scientific Co. Ltd.

TEL: (86 571) 8729 7500 FAX: (86 571) 8729 7511

E-mail: [sales@fortunescientific.com.cn](mailto:sales@fortunescientific.com.cn)

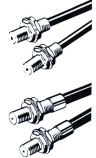


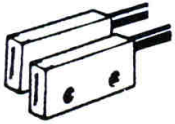
Website: [www.fortunescientific.com.cn](http://www.fortunescientific.com.cn)

### Guangzhou Branch:

TEL: (86 20) 8130 7388 FAX: (86 20) 8108 4925

E-mail: [guangzhou@fortunescientific.com.cn](mailto:guangzhou@fortunescientific.com.cn)

### Fiber Unit, through beam type (For F80, F70A, F70, F71R)

Type	Appearance	Model No.	Feature	Range (mm)			
				F80R		F70R F70AR	F71R
				Long distance	High speed		
General purpose		FT3BC	φ 2.9 unthreaded	830	460	460	270
		FT8BC	M3 screw, small diameter	230	130	130	75
		FT5BC	M4 screw	830	460	460	270
		FT7BC	M4 screw with M2.6 screw tip	830	460	460	270
		FT108BC	M3 threaded short head	860	480	480	280
SUS tube		FTS8BC	M3/SUS 70 mm	230	130	130	75
		FTS5BC	M4/SUS 70 mm	230	130	130	75
		FTS53BC	M4/SUS 35 mm	230	130	130	75
Side view		FTSV5BC	M4 screw, SUS 65 mm	500	280	280	160
		FTV7BC	M5 screw	830	460	460	270
		FTSV73BC	φ 3 unthreaded, SUS 20 mm	440	240	240	140
Wide area		FLT706BC	Detecting width 1.75 mm	300	170	170	95
		FLT716BC	Detecting width 5.5 mm	680	380	380	220

### Fiber Unit, reflective type

General purpose		FR8EBC	M3 screw	190	110	110	65
		FR8BC	M3 screw, small-diameter	90	50	50	30
		FR84BC	M4 screw, small-diameter	90	50	50	30
		FR108BC	M4 screw	360	200	200	120
		FR1083BC	φ 3 unthreaded	360	200	200	120
		FR5BC	M6 screw	320	180	180	100
		FR84BC	M4 screw, small-diameter	90	50	50	30
		FR19YBC	M3 screw	40	20	13	8
SUS tube		FR7YBC	M6 screw φ 2.5	220	120	120	70
		FRS5BC	M6 screw 70 mm	90	50	50	30
Coaxial		FRS83BC	φ 3 unthreaded, φ 1.3 head	90	50	50	30
		FX84BC	M4 screw, φ 2.5 head	90	50	44	25
		FX205	M4 screw, P = 0.7 mm	135	75	75	45
		FX7BC	M6 screw, φ 2.5 head	230	130	130	75
Limited reflection		FX83BC	φ 3 short head	90	50	44	25
		FZ1901YBC	Limited reflection	50			
		FZV191YBC	For glass substrate detection	0~6		-	
Wide area		FRL7W16BC	Detecting width 5.5 mm	170	95	95	55
		FRL732BC	Detecting width 11.1 mm	270	150	150	110



**香港科學儀器社有限公司**  
Che Scientific Co. (Hong Kong) Ltd.

**Hong Kong Head office:**

Unit D, 18/F, Roxy Industrial Centre, 58-66 Tai Lin Pai Road, Kwai Chung, Hong Kong

TEL: (852) 2481 1323 FAX: (852) 2418 1302

E-mail: [sales@chescientific.com](mailto:sales@chescientific.com) Website: [www.chescientific.com](http://www.chescientific.com)



**浙江科通儀器有限公司**  
Zhejiang Fortune Scientific Co. Ltd.

TEL: (86 571) 8729 7500 FAX: (86 571) 8729 7511

E-mail: [sales@fortunescientific.com.cn](mailto:sales@fortunescientific.com.cn)

Website: [www.fortunescientific.com.cn](http://www.fortunescientific.com.cn)

**Guangzhou Branch:**

TEL: (86 20) 8130 7388 FAX: (86 20) 8108 4925

E-mail: [guangzhou@fortunescientific.com.cn](mailto:guangzhou@fortunescientific.com.cn)