

Che Scientific Co. (Hong Kong) Ltd.
Unit D, 18/F, Roxy Industrial Center,
58-66 Tai Lin Pai Road, Kwai Chung, Hong Kong
Tel: (852) 2481 1323 Fax: (852) 2418 1302
Email: sales@chescientific.com
Website: <http://www.chescientific.com>

SiteLab

Ultrasonic Flowmeter SL1278



About SL1278

SL 1278 Portable Ultrasonic Flowmeter enables the user to do flow measurement checks at many points in a flow process without the need for a permanent installation.

This universal transit-time meter features a dual-function push button interface, ergonomic handheld design and a beautiful 3.5in TFT backlit digital display that significantly simplifies setup and data collection.

Comparing with other traditional flowmeter or ultrasonic flowmeter, it has distinctive features such as high precision, high reliability, high capability and low cost, the flowmeter features other advantages:

TVT technology designed. Less hardware components, low voltage broadband pulse transmission, low consumption power. Clear, user-friendly menu selections make flowmeter simple and convenient to use.
Daily, monthly and yearly totalized flow.
Parallel operation of positive, negative and net flow totalizes with scale factor (span) and 7 digit display, while the output of totalize pulse and frequency output are transmitted via relay and open collector.



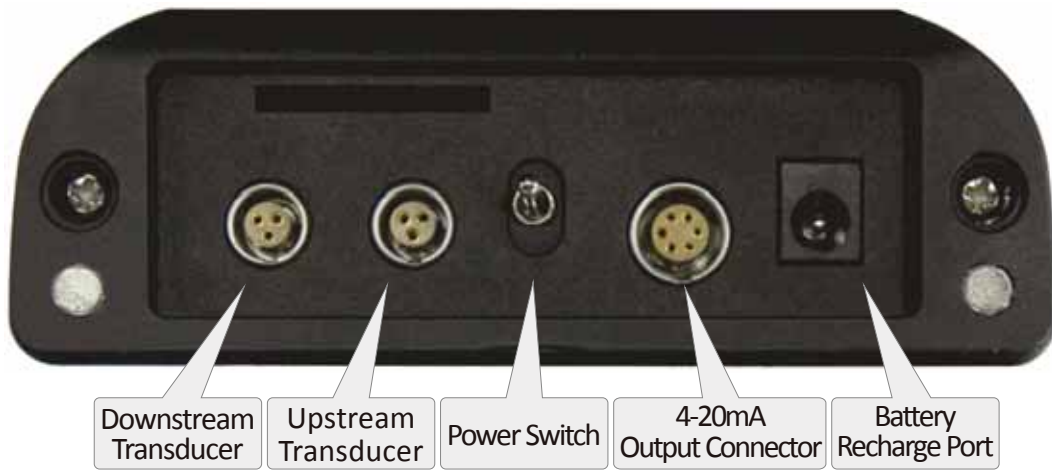
Applications



Specification

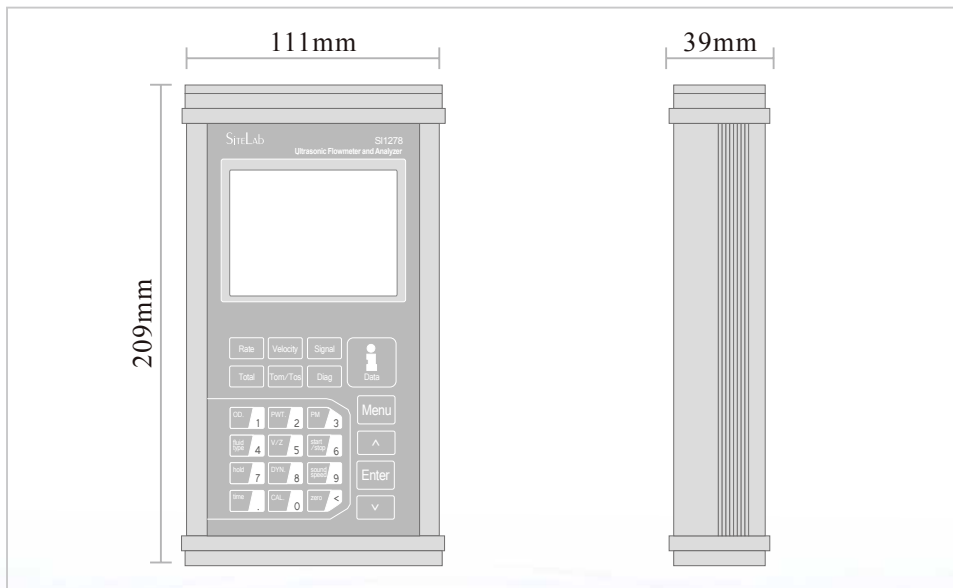
Performance specifications	
Flow range	±0.03 ~ ±40 ft/s (±0.01~ ±12 m/s)
Accuracy	±1%.
Repeatability	0.3%.
Linearity	±1%.
Pipe Size	Clamp-on: 1" ~ 48" in(25mm~1200mm)
Function specifications	
Outputs	Analog output: 4~20mA, Max 750 Ω.
SD card	Storage: 8GB; Max: 512 files; Interval: 1 ~ 60 seconds.
Power supply	rechargeable Lithium Battery Power (continuous operation of mainbattery 10 hours).
Keypad	Tactile Keys.
Display	3.5 inch TFT screen(320 × 240), backlit LCD.
Temperature	Transmitter:14°F~122°F(-10°C~50°C) Transducer:40°F~176°F(-40°C~80°C)
Humidity	0 to 99% RH,non-condensing
Physical specifications	
Transmitter	NEMA13 (IP54).
Transducer	Encapsulated design, IP68; Standard cable length: 5m.
Weight	Transmitter:approximately1.0kg.

Wiring Diagram

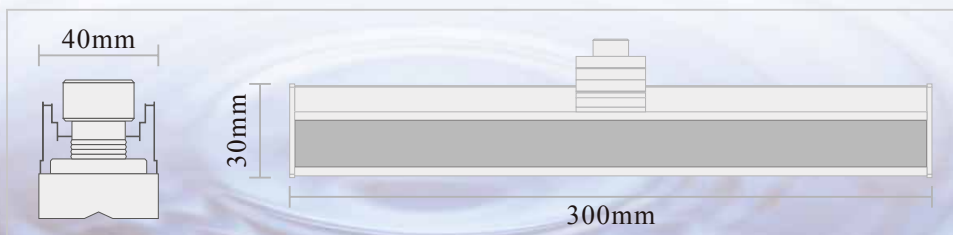


Transmitter Dimensions

Transmitter

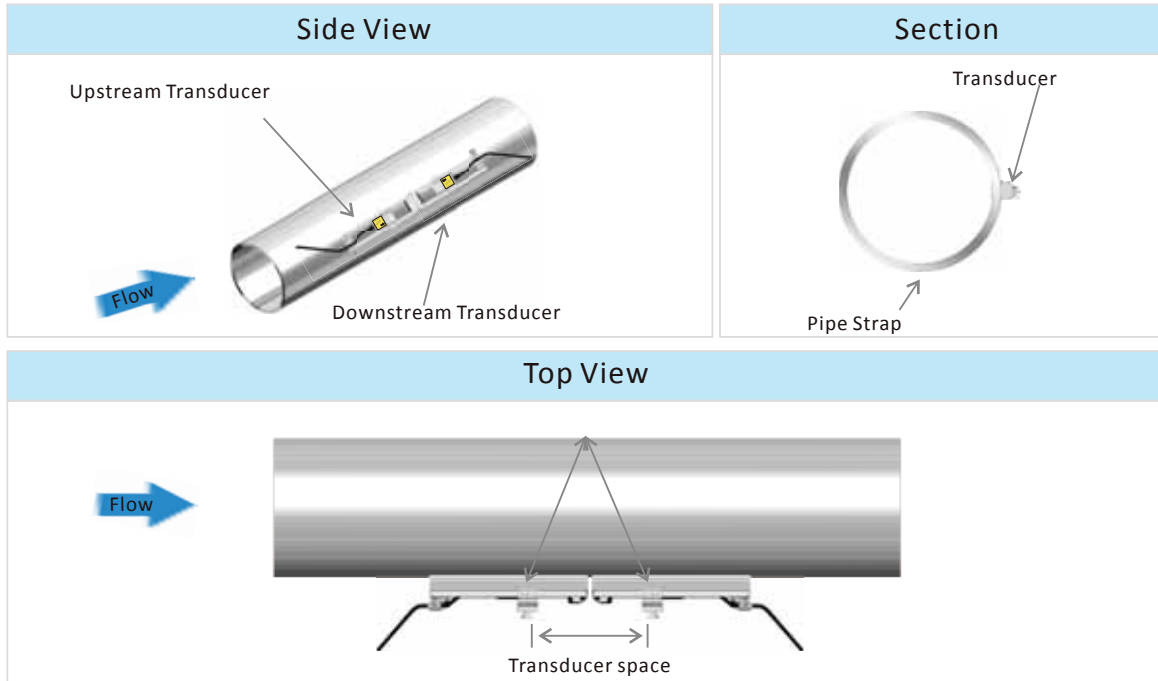


Transducer

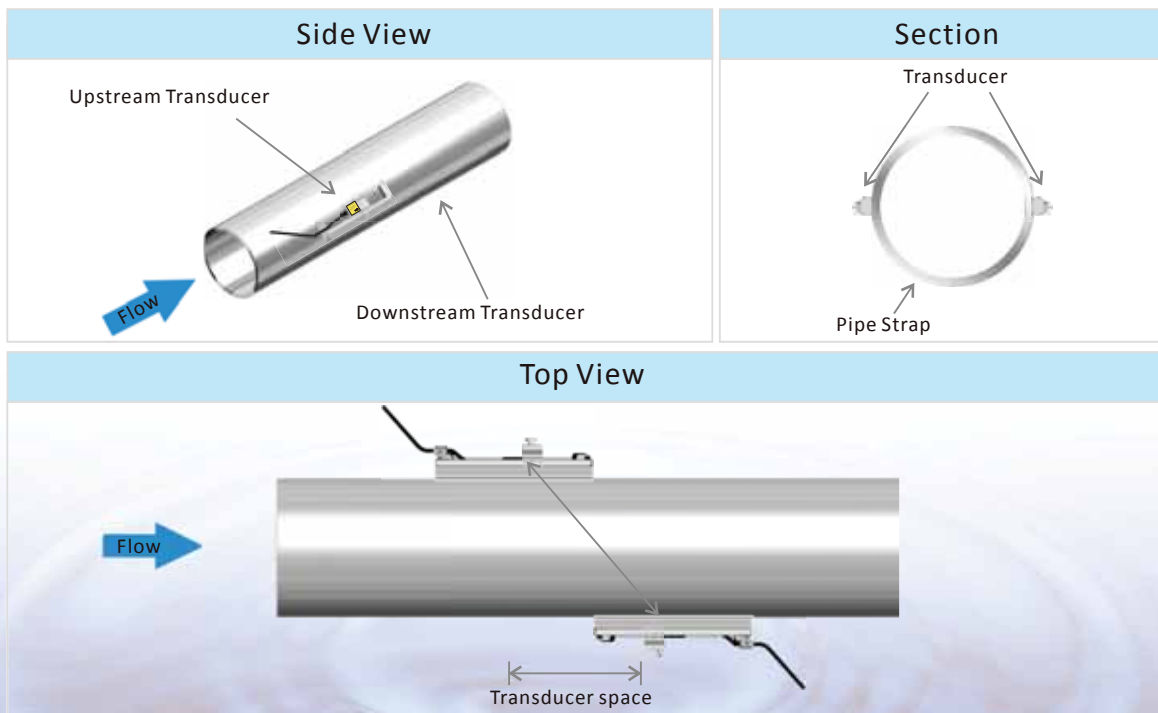


Transducer Installation Methods

V method measuring pipe size : 50mm-400mm



Z method measuring pipe size: 25mm-1200mm



Installation Site Selection

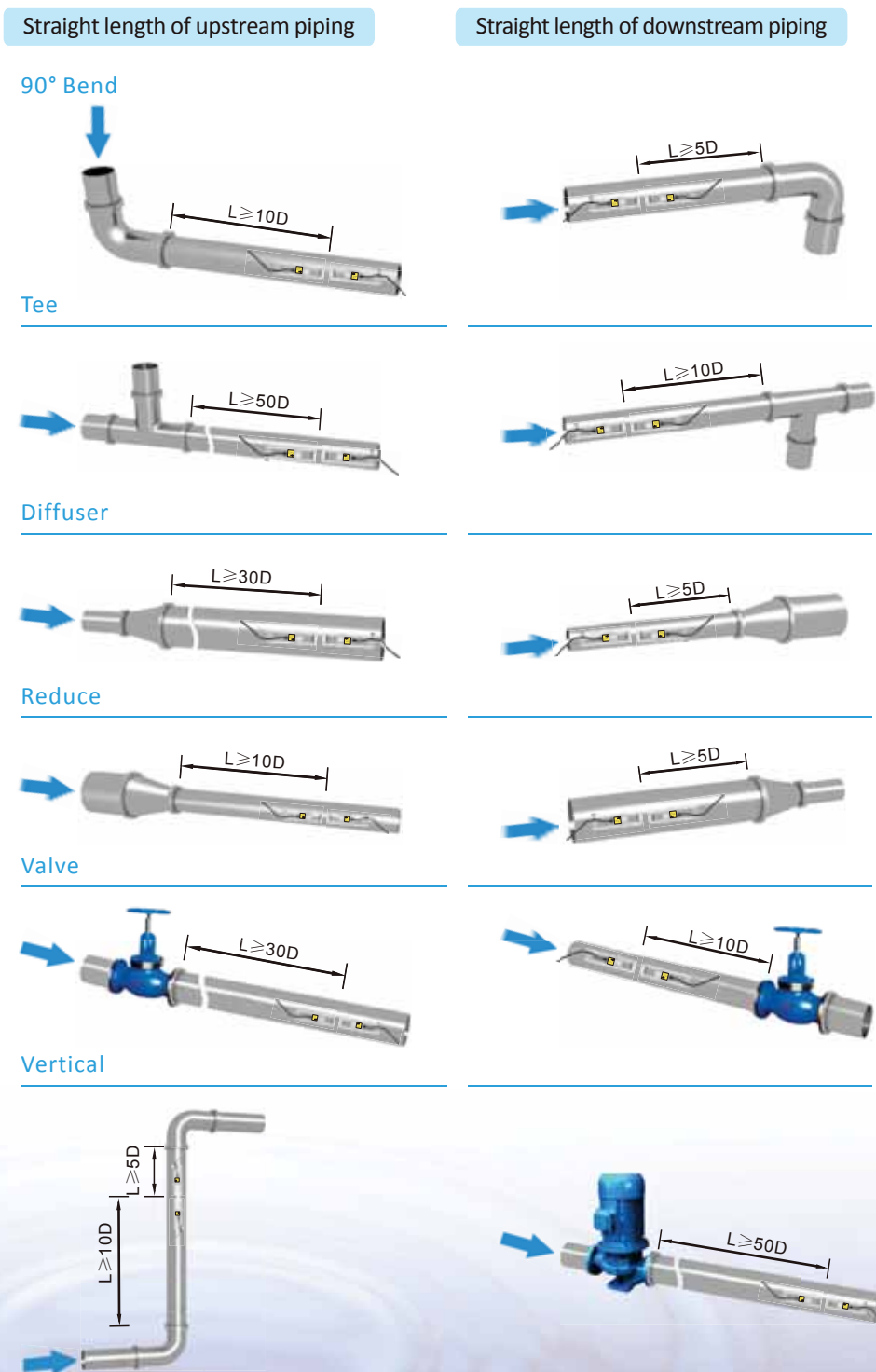
When selecting a measurement site, it is important to select an area where the fluid flow profile is fully developed to guarantee a highly accurate measurement. Use the following guidelines to select a proper installation site:

Choose a section of pipe that is always full of liquid, such as a vertical pipe with flow in the upward direction or a full horizontal pipe.

Ensure enough straight pipe length at least equal to the figure shown below for the upstream and downstream transducers installation.

Ensure that the pipe surface temperature at the measuring point is within the transducer temperature limits.

Consider the inside condition of the pipe carefully. If possible, select a section of pipe where the inside is free of excessive corrosion or scaling.



Ordering Information

Description	
SL1278	Handheld Ultrasonic Flowmeter Installation method: Handheld 8G SD card high memory data logging, maximum memorize 512 days data. Flow Range: ± 0.03 ft/s ~ ± 40 ft/s (± 0.01 m/s ~ ± 12 m/s) Accuracy: $\pm 1\%$ Repeatability: 0.3% Output: 4-20mA Internal lithium power supply: 10hours Pipe size range: 1"~48"(25mm~1200mm) Transducer: IP54, CP magnet portable transducer, 5m cable
Type of transducers	
P010	P type magnet portable transducer Operating temperature: $40^{\circ}\text{F} \sim 176^{\circ}\text{F}$ ($-40^{\circ}\text{C} \sim 80^{\circ}\text{C}$)
Transducer Cable Length	
016	P type of cable Standard 16ft (5m)
xx	Maximum lengthen to 305m, per 5m is a lengthen unit.
Standard Model: P117-P010-016	
Description: Portable transducers, 5m cable.	

Packaging



- ① Carrying Case
- ② Flow Transmitter
- ③ Transducer with scaled rack
- ④ Pipe Circles
- ⑤ Grease Coupling Compound
- ⑥ SD Card

Product Line

SL1168 Dedicated Ultrasonic Flowmeter



Accuracy: $\pm 1\%$
 Flow range: $0.03 \sim \pm 16 \text{ft/s}$
 Pipe Size Range: $1'' \sim 48''$

SL 1278 Portable Ultrasonic Flowmeter



Accuracy: $\pm 1\%$
 Flow range: $0.03 \sim \pm 40 \text{ft/s}$
 Pipe Size Range: $1'' \sim 48''$

SL1188 Dedicated Ultrasonic Flowmeter



Accuracy: $\pm 0.5\%$
 Flow range: $0.03 \sim \pm 40 \text{ft/s}$
 Pipe Size Range: $1'' \sim 200''$

SL1288i Portable Ultrasonic Flowmeter



Accuracy: $\pm 0.5\%$
 Flow range: $0.03 \sim \pm 40 \text{ft/s}$
 Pipe Size Range: $0.6'' \sim 240''$

SL3488D Plus Multipath Ultrasonic Flowmeter



Accuracy: $\pm 0.5\%$
 Flow range: $0.03 \sim \pm 23 \text{ft/s}$
 Pipe Size Range: $4'' \sim 200''$

Application

Perfect performance in single liquid medium.
 Eg: Water, Pure water, Oil, etc.

Remark: The above mode choose doesn't including the spool piece, it is for customization.



Reps: Che Scientific Co. (Hong Kong) Ltd.
 Unit D, 18/F, Roxy Industrial Center,
 58-66 Tai Lin Pai Road, Kwai Chung, Hong Kong
 Tel: (852) 2481 1323 Fax: (852) 2418 1302
 Email: sales@chescientific.com
 Website: <http://www.chescientific.com>

Version: SL1278-201905